



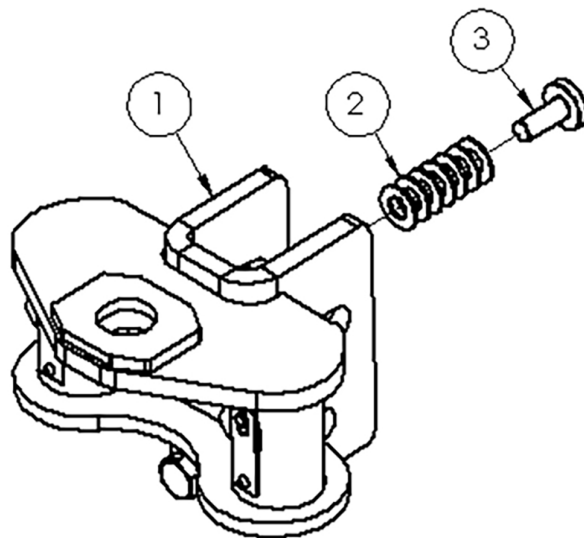
BXW4067

2-Point Hitch Head Kit Installation Instructions

⚠ CAUTION

Before installing the Hitch Head Kit unhook the trailer from the hitch head. Also, remove the spring bars from the hitch head.

1. Remove the existing hitch head from the receiver hitch mount. Do not discard fasteners, they will be reinstalled. If being reused, remove the ball from the existing hitch head and install onto the new hitch head. Torque to manufacture's specifications.
2. The hitch ball should be vertical or slightly tilted rearward for proper set up. Adjust the ball angle by adding or removing the number of washers to the tilt head pin. Start with five (5) washers and adjust as needed. Add more washers when close to the maximum tongue weight and fewer washers when close to minimum tongue weight.
3. Install the new hitch head onto the receiver hitch mount in the previously used location, using the existing 3/4" fasteners.
4. Once the hitch head tilt has been adjusted insert one (1) 3/4"-10 bolt, 3/4" lock washer and 3/4"-10 hex nut into the top hole. Then remove the bottom 3/4" bolt and add 3/4" lock washer and 3/4"-10 hex nut. Do not fully tighten at this time.
5. Insert the 5/8" bolt in to the bottom front hole on the receiver and tighten against the shank. The hitch head should move upward till the tilt head pin touches the shank. Turn bolt an additional 1/4 to 1/2 turn to fully tighten.
6. Torque the 3/4"-10 bolts to 257 ft/lbs.



Item No.	Part No.	Description	Qty.
1.....	62-4295	Hitch Head.....	1
2.....	203-0168	1/2" Flat Washer, ZP, SAE	7
3.....	229-0833.....	Head Tilt Pin	1